



**EEEASILY
MORE.**

Excellent. Efficient. Expert.

The value-added modules of the IBC SOLAR Line.

IBC SoloSol 100 CS

First-class solar modules made of monocrystalline silicon



25 year power and 10 year product warranty¹



Positive power tolerance (-0/+5 Wp)



Increased mechanical stability (5400 Pa)²



German warrantor



100% tested quality

IBC SOLAR – a strong global partner for solar power

IBC SOLAR AG has been successful for more than **30 years** and is amongst the leading international energy companies, which provide high-performance system solutions in every size and for every application with intelligent photovoltaic systems. The **economic strength and financial independence** is confirmed by globally recognised rating agencies.

Smart Systems for Solar Power thanks to perfectly matched components. **More than 1,000 highly qualified partners** around the world, as well as **more than 2,700 megawatts of installed power** and over **160,000 photovoltaic systems** all underline the high level of expertise of IBC SOLAR.

Convince yourself of the energy solutions by IBC SOLAR!

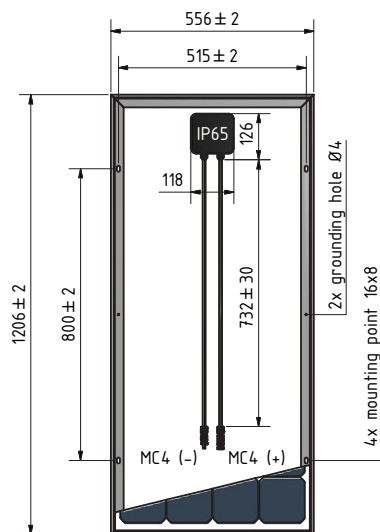
TECHNICAL DATA

IBC SoloSol	100 CS
Article number	2003800013

Electrical data (STC):	
STC Power Pmax (Wp)	100
STC Nominal Voltage Umpp (V)	18.39
STC Nominal Current Imp (A)	5.44
STC Open Circuit Voltage Uoc (V)	23.11
STC Short Circuit Current Isc (A)	5.82
Module Efficiency (%)	14.9
Power Tolerance (Wp)	-0/+5

Electrical data (NOCT):	
800 W/m ² NOCT AM 1.5 Power Pmax (Wp)	69.76
800 W/m ² NOCT AM 1.5 Nominal Voltage Umpp (V)	16.81
800 W/m ² NOCT AM 1.5 Open Circuit Voltage Uoc (V)	21.35
800 W/m ² NOCT AM 1.5 Short Circuit Current Isc (A)	4.43
Relative Efficiency Reduction at 200 W/m ² (%)	2.55

Temperature coefficient:	
NOCT (°C)	46
Tempcoeff Isc (%/°C)	+0.027
Tempcoeff Voc (mV/°C)	-77.88
Tempcoeff Pmpp (%/°C)	-0.469



Operating conditions:	
Max. System Voltage (V)	1000
Application Class	A
Reverse Current Ir (A)	15
Current value string fuse (A)	10
Fuse protection from parallel strings	4

Mechanical properties:	
Dimensions (L × W × H in mm)	1206 × 556 × 35
Weight (kg)	9
Load capacity (Pa) ²	5400
Front sheet (mm)	3.2 (low-iron photovoltaic glass)
Frame	anodized aluminium, sturdy hollow-chamber frame
Cells	4 × 9 monocrystalline silicon cells
Connection type	MC4 (IP65)

Warranties and certification:	
Product warranty	10 years ¹
Power warranty	12 years 90%, 25 years 80% ¹
Certification	IEC 61215, IEC 61730-1/-2, ISO 9001, ISO 14001, OHSAS 18001

Packaging information:	
Number of modules per pallet	26
Number of pallets per 40' container	54
Number of pallets per lorry	60
Dimensions incl. pallet (L × W × H in mm)	1265 × 1130 × 710
Gross weight incl. pallet (kg)	258
Stackability per pallet	3-fold

Presented by:

¹) The warranty requires installation according to the valid installation instructions. Standard test conditions: 1000 W/m² irradiation with a spectral distribution of AM 1.5 and a cell temperature of 25°C. 800 W/m², NOCT. Information according to EN 60904-3 (STC). All values according to DIN EN 50380. Errors and changes reserved.

The precise conditions and content can be taken from the respectively valid version of the product and power warranty, which you can obtain from your IBC Premium Partner.

²) Tested according IEC 61215 for snow loads up to 5,400 Pa (5.4 kN/m²).